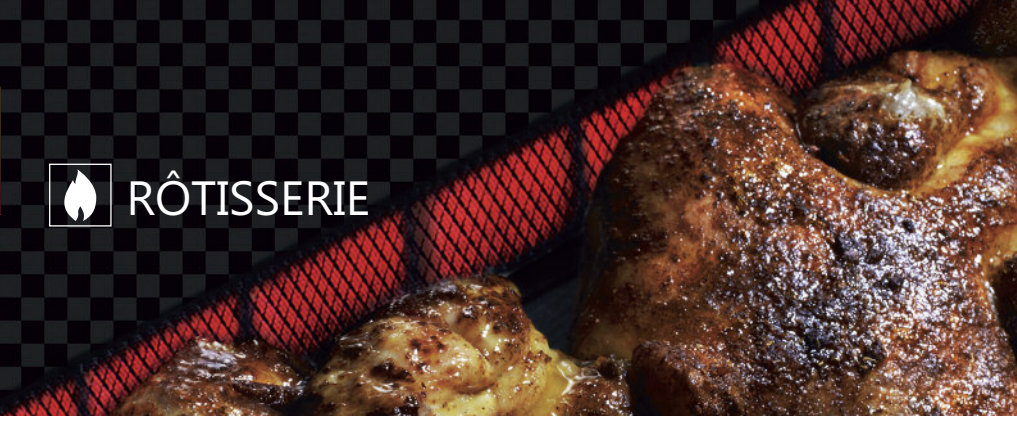




# SPECIAL-MARKET

1175.8 SMG/SMiG



## DESIGN

The SPECIAL MARKET range of rotisseries have been designed with performance, practicality and mobility in mind. Light weight and compact they are the ideal rotisserie of choice for market stalls, food trucks and caterers, offering a rapid output together with cooking quality.

Other markets suited to the Special Market range includes; supermarkets, deli's, chicken shops, takeaways, etc..

Conscious of the cost involved for our clients, the SPECIAL MARKET rotisserie has energy saving infrared burners, patented by Rotisol, that enables the rapid roasting of a variety of products.

## FEATURES

- Independent motors
- Spits with Bakelite handles
- Optional internal lighting
- Independent infrared burners with interchangeable ceramic bricks
- 2 tempered glass doors (easily removable for transport)
- Optional personalised removable roof signage
- Equipped with bottom drip tray with drainage tap

## FINISHES

Standard model in finished STAINLESS STEEL. A choice of front coloured panels are available









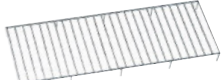

1175.8SMG

Black front panels and stainless steel finish



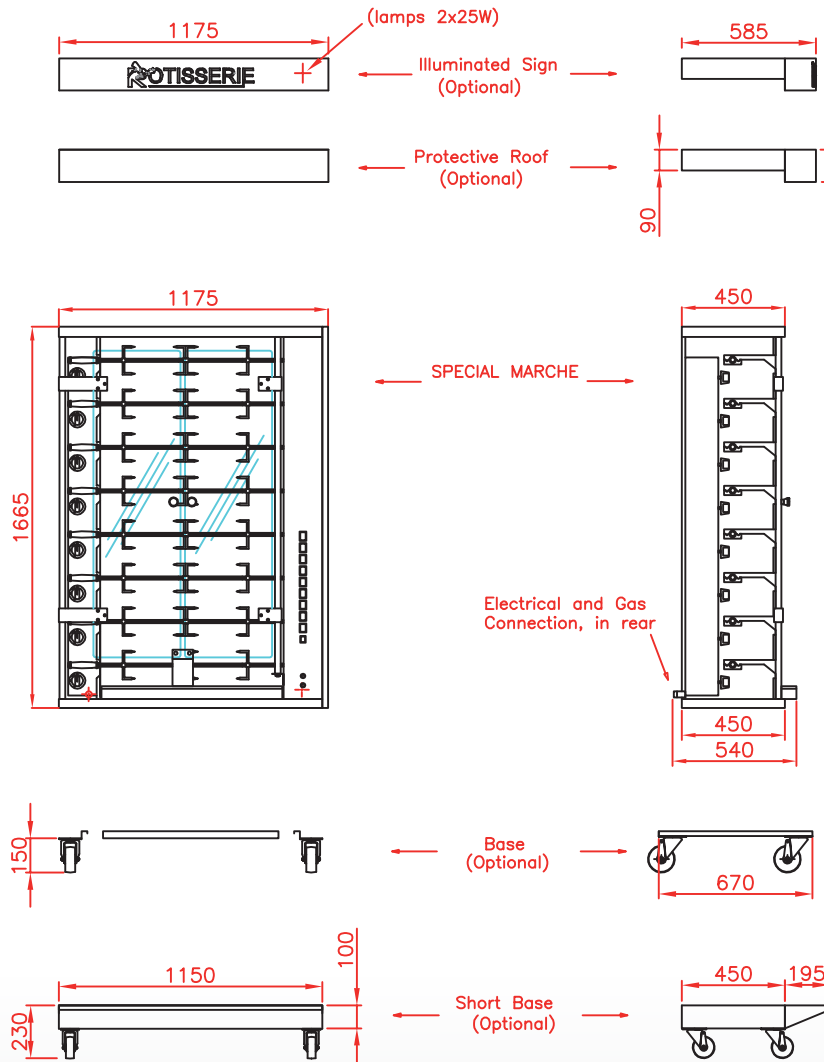
## ACCESSORIES

A variety of accessories are available for the unit. Video of available [accessories](#).

<b>CUI1175</b> Anti-cutting prongless spit. 	<b>BP1175</b> Chicken spit. 	<b>BRC1175</b> Basket spit. 
<b>BS1175</b> Sabre spit for ham / turkey. 	<b>BRRO1175</b> Roast-clamp spit. 	<b>AT</b> Gas lighter. 
<b>BCR1175</b> Spatchcock chicken spit. 	<b>GSV1175</b> Raised rack for meat storage. 	<b>DEC</b> Spit mover. 

### Front view

Rotisserie with roof (optional) and base on casters (optional)

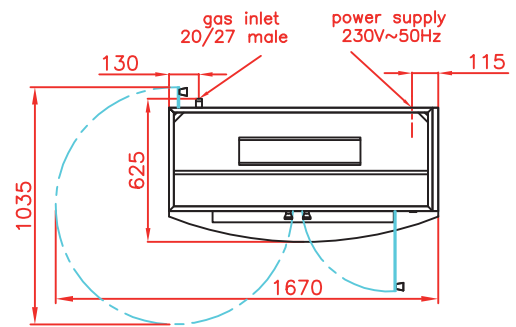


### Side view

Rotisserie with roof (optional) and base on casters (optional)

### Top view

Rotisserie with roof (optional) and base on casters (optional)



**1175.8SMiG**

Stainless steel finish

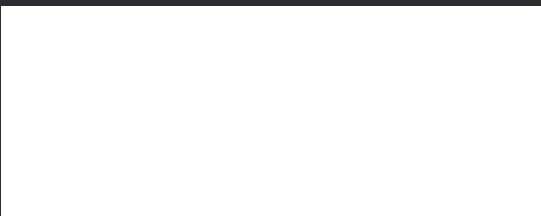


Revised : February 2018

## SPECIFICATIONS

<b>Gas Power</b>	Natural Gas: 138 Mj/hr, LPG: 136 Mj/hr
<b>Gas consumption</b>	Natural Gas: 3 m <sup>3</sup> /h, LPG: 2.32 kg/h
<b>Gas connection</b>	20/27 male
<b>Electricity</b>	230 V 50/60 Hz + earth 0.59 kW
<b>Capacity</b>	32/40 chickens (depending on size)
<b>Warranty</b>	
<b>Extraction</b>	Compulsory
<b>Minimum clearance</b>	51 cm on the left, 5 cm on the right, 10 cm at the rear
<b>Weight</b>	180 kg without packing

### Authorised Dealer



### AUSTRALIAN IMPORTER & DISTRIBUTOR



ABN 91 600 066 340

PO Box 83,  
Oxenford, QLD 4210

Ph: 0490 526 758

EMAIL: [info@creative-commercial.com.au](mailto:info@creative-commercial.com.au)

[www.creative-commercial.com.au](http://www.creative-commercial.com.au)