

MILLENIUM

975.8MLE/MSE + i

DESIGN

The MILLENIUM range of attractive ergonomically-designed rotisseries, boasts a number of innovative features for increased functionality and are an ideal show-piece used throughout the world in hotels, restaurants and deli stores.

The electrical heating elements provide an even distribution of heat throughout the unit with 3 different heat settings - offering you the flexibility to cook as little or as much as you need.

Spits are driven by individual motors rotating at 2 ½ times per minute allowing meat or poultry to constantly baste itself, sealing in natural juices and cooking to perfection.

FEATURES

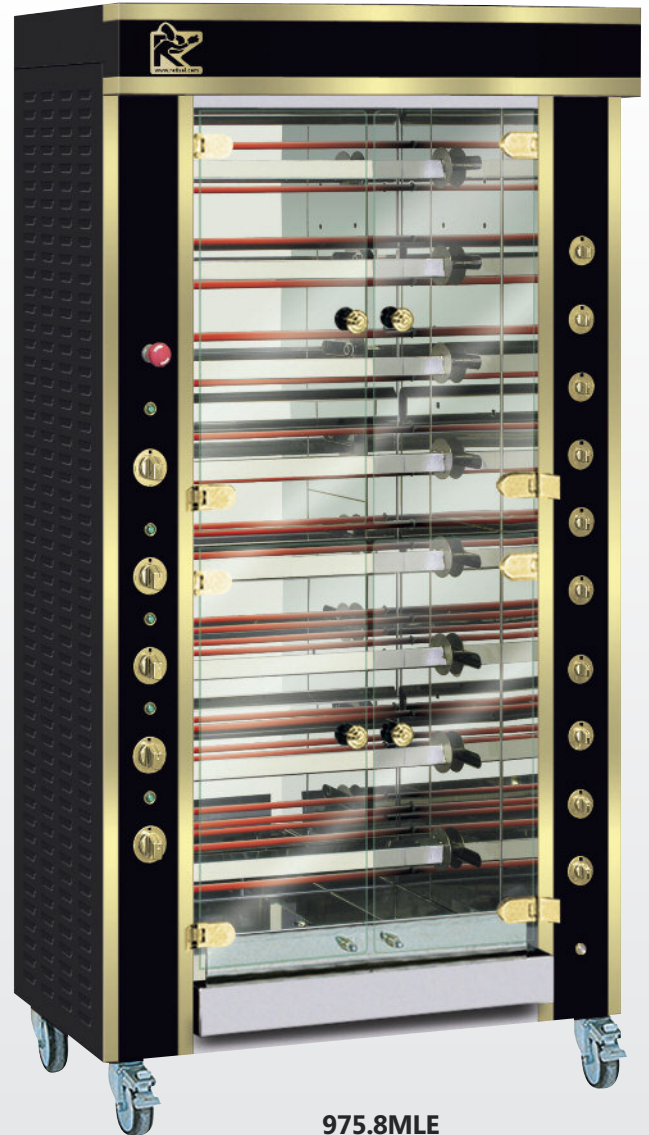
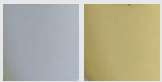
- Energy Efficient
- Independent motors
- 4 tempered glass doors
- Reinforced heating elements
- Equipped with bottom drip tray with drainage tap
- Powerful halogen lamp

FINISHES

Standard model in black enamel. A choice of other colours are available. Choses a colour scheme for Millenium.



With chrome or brass trims.










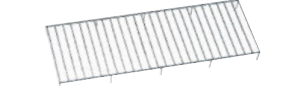

975.8MLE

Black and brass finish

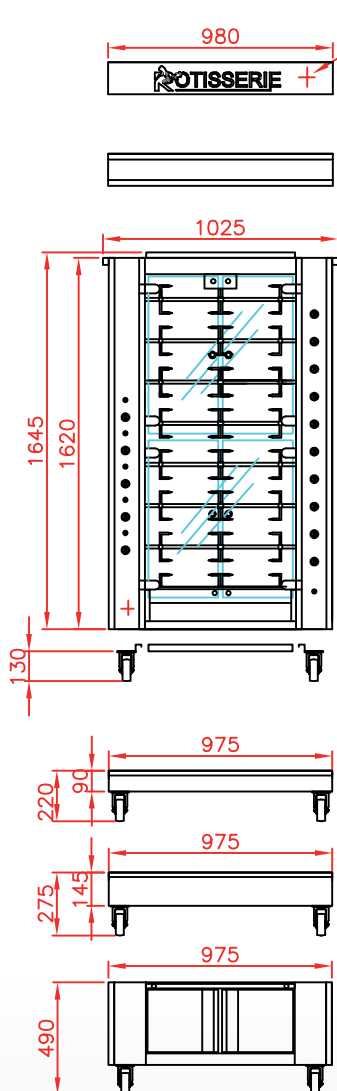


ACCESSORIES

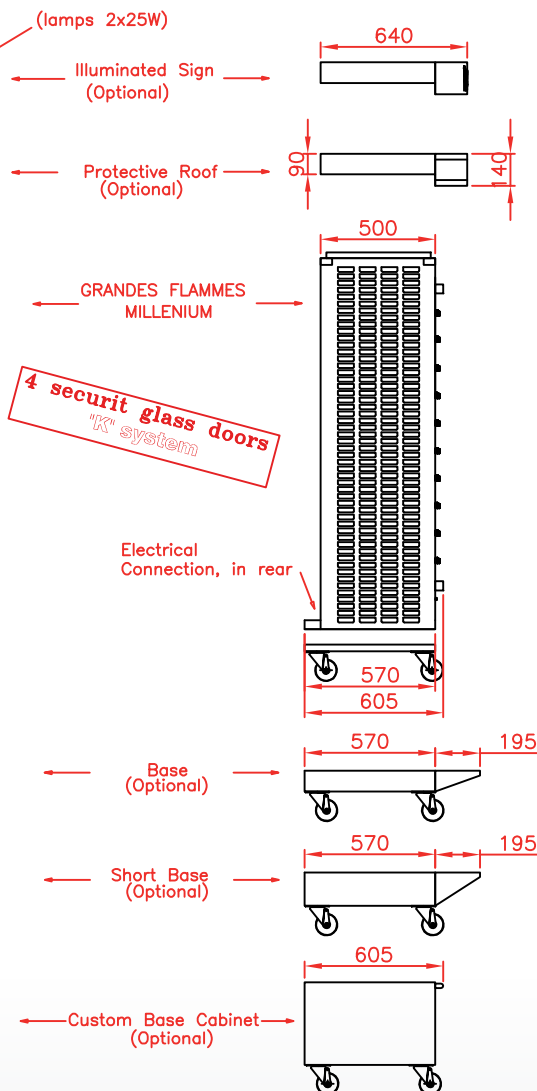
A variety of accessories are available for the unit. Video of available [accessories](#) and video of [vertical spit system](#).

<p>CUI975 Anti-cutting prongless spit.</p> 	<p>BP975 Chicken spit.</p> 	<p>BRC975 Basket spit.</p> 
<p>BS975 Sabre spit for ham / turkey.</p> 	<p>BRRO975 Roast-clamp spit.</p> 	<p>BA975 Lamb/suckling-pig spit. On demand.</p> 
<p>GCP975 Spare rib rack.</p> 	<p>GSV975 Raised rack for meat storage.</p> 	<p>PID975 Stainless steel tray to unspit.</p> 

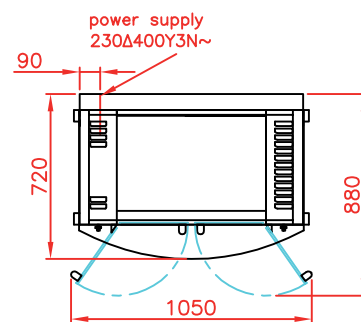
Front view
Rotisserie with roof (optional)
and base on casters (optional)



Side view
Rotisserie with roof (optional)
and base on casters (optional)



Top view
Rotisserie with roof (optional)
and base on casters (optional)



975.8MSE

Stainless steel finish



SPECIFICATIONS

Electricity	400 V 3 phases + neutral + earth 21.5 kW
Electrical connection	wire length 2 meters
Capacity	16/24 poultries (depending on size)
Warranty	1 year on parts (excluding glass doors)
Extraction	Compulsory
Minimum clearance	5 cm on the left and right, 5 cm at the rear
Weight	160 kg without packing

Revised : December 2015

AUSTRALIA DISTRIBUTOR

Rotisol S.A.S.

Zone industrielle La Trentaine, Avenue Gustave Eiffel
77507 Chelles cedex - FRANCE

bennell@rotisol.com - Tel : +33 1 64 21 80 00

www.rotisol.com



PO Box 83 - Oxenford QLD 4210 - AUSTRALIA

+61 (07) 3218 2111 - info@creative-commercial.com.au